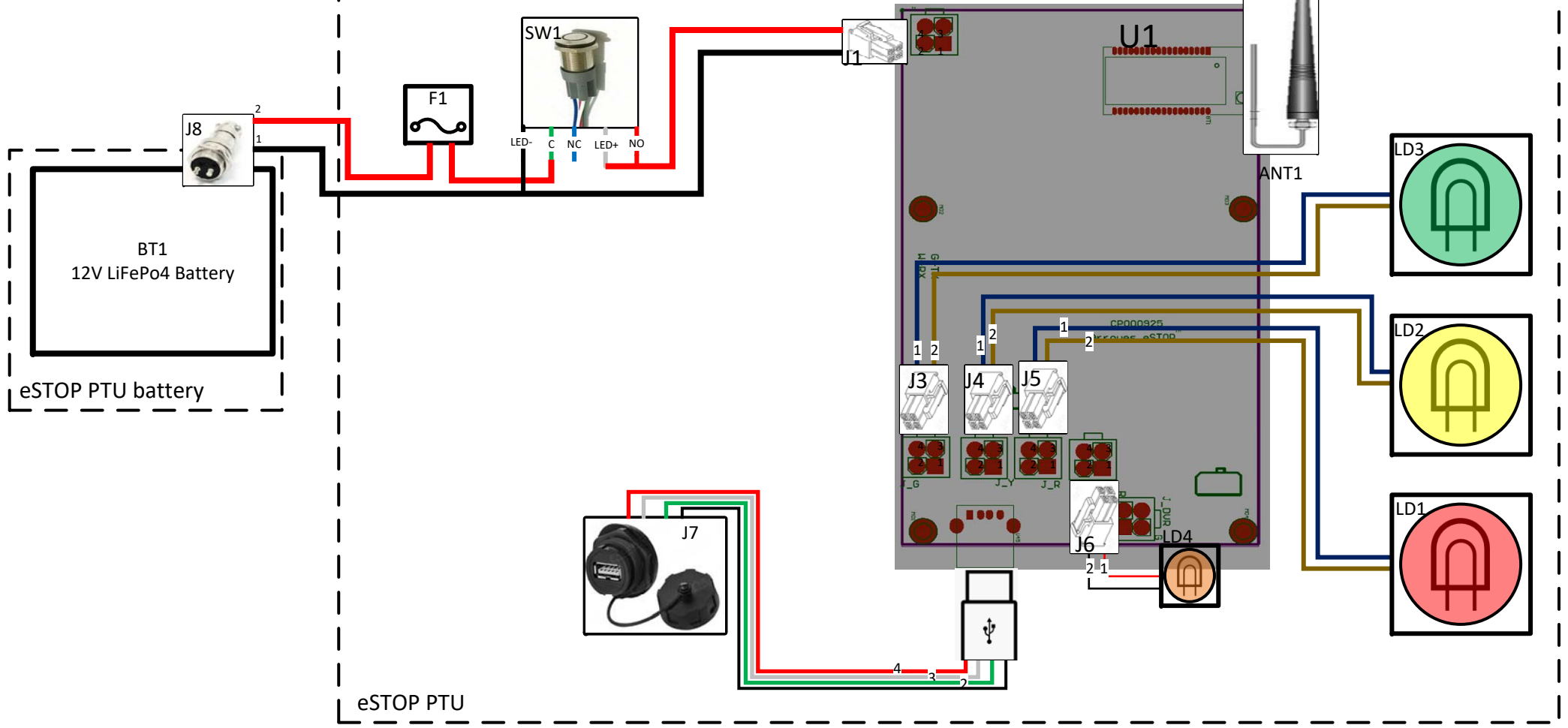


ArrowES eSTOP Potable Traffic Unit (PTU) wiring diagram



| | | |
|----------------------------------------|------------------------------------------------------------------------------------------------------|-------------------------------------------------|
| ANT1: 2.4GHZ Antenna | J7: Lantern USB a connector | SW1: Power Cut-off switch |
| BT1: 12V, 21Ah, LiFePo4 battery | LD1...LD3: Traffic Light LED Model Red:TRO121 Model Yellow:TRO122 Model Green:TRO123 | U1: ArrowES eSTOP Lantern PCB controller |
| F1: 5A fuse/fuse holder | | |
| J1...J6: 4 pin header/connector | LED4: Arrowes eSTOP Strobe light | |